

# LCTB 45 - BUSBAR SERIES



**INPUT:**

50 A  
...  
400 A

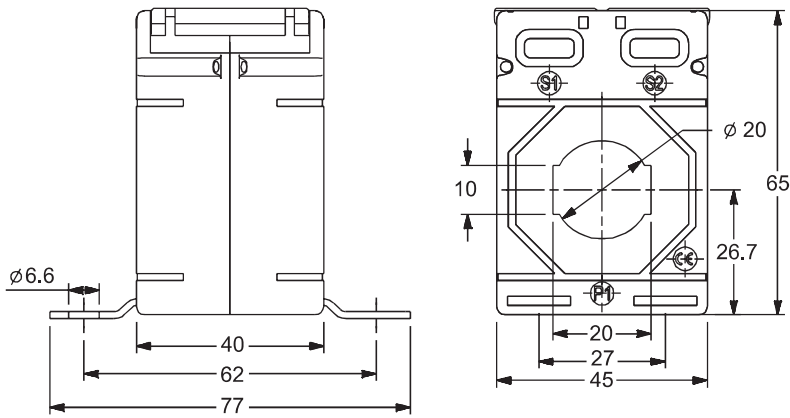
**OUTPUTS:**

5 A    1 A

	LCTB 45/21 (40)
Hole diameter	∅ 20 mm
Busbar	20 x 10 mm
Depth	40 mm
Width	45 mm
Primary current	50 A...400 A
Secondary current	1 A, 5 A
Accuracy class	0,5; 1

## DIMENSIONS

### LCTB 45/21 (40)



Transformer type	LCTB 45/21 (40)	
Accuracy class	0.5	1
<b>Rated primary current</b>	<b>Transformer burden</b>	
50 A	-	1.5 VA
60 A	-	1.5 VA
75 A	-	2.5 VA
80 A	1 VA	2.5 VA
100 A	1.5 VA	3.75 VA
120 A	1.5 VA	3.75 VA
125 A	2.5 VA	3.75 VA
150 A	2.5 VA	5 VA
200 A	3.75 VA	5 VA
250 A	3.75 VA	5 VA
300 A	5 VA	5 VA
400 A	5 VA	5 VA

#### ORDER

Required data: transformer type/ primary current/ secondary current/ power/ accuracy class  
**Order example:** LCTB 45/21 (40) 100/5A, 3.75VA, cl. 1

#### ACCESSORIES:

DIN rail mounting base

**order code:** LH000-0904-130-002

- In stock, dispatch within 48h: version with secondary current x/5A.